

Spectral analysis band-pass filter for mini component stereo

BA3833F

The BA3833F is a 4+1 band-pass filter IC for spectrum analyzer with built-in recording indicator output. External components can be reduced largely by incorporating all capacitors that compose a filter. This enables to make set smaller and more highly-reliable.

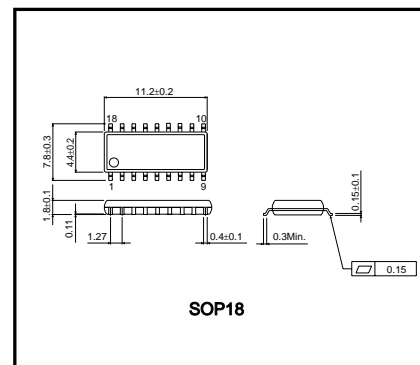
●Applications

CD radio cassette player, mini component stereo, car stereo

●Features

- 1) Spectral analysis 4-band band-pass filter and rectifier circuit (with internal capacitor).
- 2) Detector circuit for every frequency.
- 3) Parallel output with internal Lch / Rch mixing-up function.
- 4) Single battery operation in 5 to 6 V.

●External dimensions (Unit : mm)



●Absolute maximum ratings (Ta=25°C)

Parameter	Symbol	Limits	Unit
Supply voltage	V _{CC}	9	V
Power dissipation	P _d	550 *	mW
Operating temperature range	T _{opr}	-40 to +85	°C
Storage temperature range	T _{stg}	-55 to +125	°C

* For an operation with Ta=25°C or more, 5.5mW shall be reduced per 1°C.
A glass epoxy board 50mmx50mmx1.6mm in thickness shall be mounted.

●Recommended operating conditions (Ta=25°C)

Parameter	Symbol	Min.	Typ.	Max.	Unit
Supply voltage	V _{IN}	4.5	5	8	V

Audio ICs

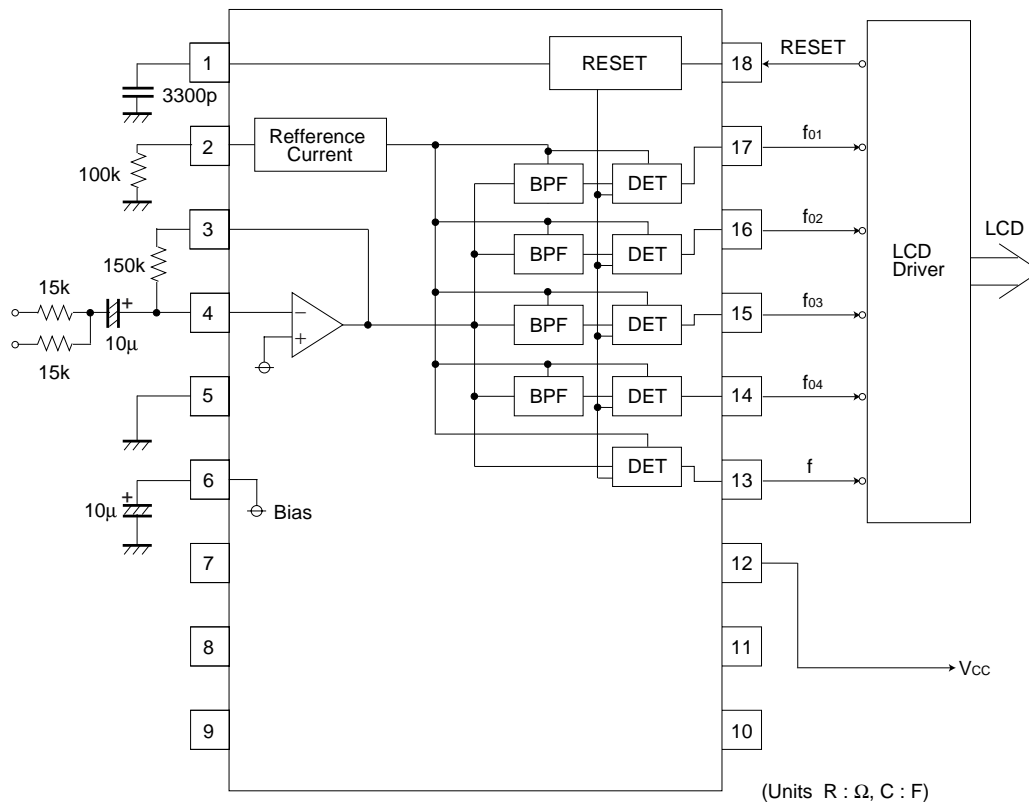
●Electrical characteristics

(Unless specified particularly, Ta=25°C, Vcc=5V, RL=10MΩ, VIN= -30dBV and reset OFF)

Parameter	Symbol	Min.	Typ.	Max.	Unit	Conditions
Circuit current upon no signal	I _Q	–	4	8	mA	Upon no input
Maximum output level	V _{OM}	4.0	4.8	–	V	V _{IN} = -14dBV, every output measurement
Output offset voltage	V _{OS}	–	30	150	mV	Upon no input
Standard output level 1	V _{O1}	1.00	1.80	2.30	V	f _{IN} =125Hz, f _{O1} output
Standard output level 2	V _{O2}	1.00	1.80	2.30	V	f _{IN} =500Hz, f _{O2} output
Standard output level 3	V _{O3}	1.00	1.80	2.30	V	f _{IN} =2kHz, f _{O3} output
Standard output level 4	V _{O4}	1.00	1.80	2.30	V	f _{IN} =8kHz, f _{O4} output
Standard output level 5	V _{O5}	0.80	1.50	1.85	V	f _{IN} =1kHz, f _{O5} output
Leak current upon reset terminal LOW	I _R	–	0.5	10	μA	Pin18=0V
Reset terminal H level	V _{IH}	3.5	–	–	V	
Reset terminal L level	V _{IL}	–	–	1.5	V	

Designed according to Q=1.
 ©Radiation resistance is not included in the design.

●Application circuit



Notes

- No technical content pages of this document may be reproduced in any form or transmitted by any means without prior permission of ROHM CO.,LTD.
- The contents described herein are subject to change without notice. The specifications for the product described in this document are for reference only. Upon actual use, therefore, please request that specifications to be separately delivered.
- Application circuit diagrams and circuit constants contained herein are shown as examples of standard use and operation. Please pay careful attention to the peripheral conditions when designing circuits and deciding upon circuit constants in the set.
- Any data, including, but not limited to application circuit diagrams information, described herein are intended only as illustrations of such devices and not as the specifications for such devices. ROHM CO.,LTD. disclaims any warranty that any use of such devices shall be free from infringement of any third party's intellectual property rights or other proprietary rights, and further, assumes no liability of whatsoever nature in the event of any such infringement, or arising from or connected with or related to the use of such devices.
- Upon the sale of any such devices, other than for buyer's right to use such devices itself, resell or otherwise dispose of the same, no express or implied right or license to practice or commercially exploit any intellectual property rights or other proprietary rights owned or controlled by
- ROHM CO., LTD. is granted to any such buyer.
- Products listed in this document use silicon as a basic material.
Products listed in this document are no antiradiation design.

The products listed in this document are designed to be used with ordinary electronic equipment or devices (such as audio visual equipment, office-automation equipment, communications devices, electrical appliances and electronic toys).

Should you intend to use these products with equipment or devices which require an extremely high level of reliability and the malfunction of which would directly endanger human life (such as medical instruments, transportation equipment, aerospace machinery, nuclear-reactor controllers, fuel controllers and other safety devices), please be sure to consult with our sales representative in advance.

About Export Control Order in Japan

Products described herein are the objects of controlled goods in Annex 1 (Item 16) of Export Trade Control Order in Japan.

In case of export from Japan, please confirm if it applies to "objective" criteria or an "informed" (by MITI clause) on the basis of "catch all controls for Non-Proliferation of Weapons of Mass Destruction.